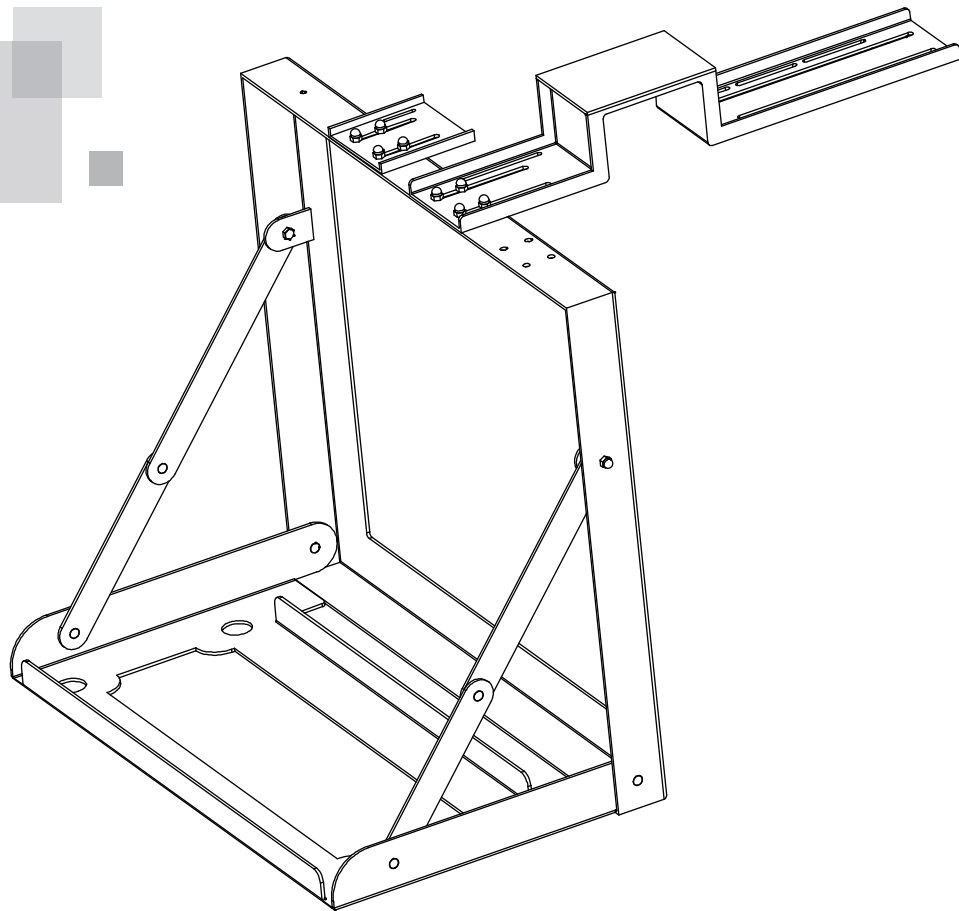


Forest Air

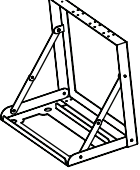
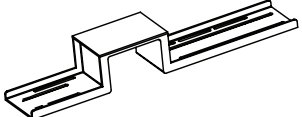
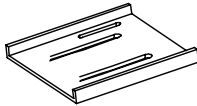
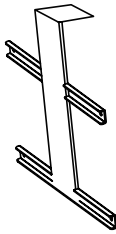
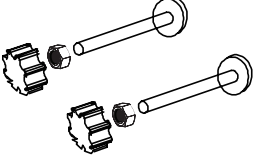

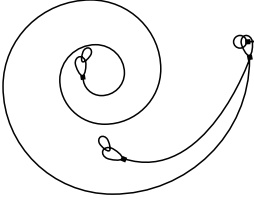
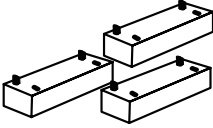


Window Bracket *OWNER'S MANUAL*

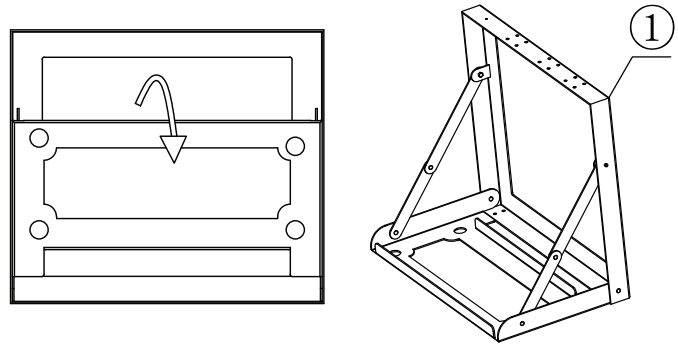
Thank you for choosing our product. Please read this owner's manual carefully before assembling the product and keep it for future reference.

TOLL-FREE : 1 866 680-4733

1. Open the box. Check the contents. The content list is as follows:

No.	Name	Qty	Remarks	Images
1	Outside mounting bracket	1	See section 2, item 1 on diagram	
2	Adjustment plate	1	See section 3, item 2 on diagram	
3	Wall reinforcement plate	1	See section 3, item 3 on diagram	
4	Inside hanging plate	1	See section 4, item 4 on diagram	
5	Adjustable feet	2	See figure 5-1 (these are mounted on the outside bracket help level the bracket against the wall)	
6	Manual	1	-	-
7	Screw assembly	1	Nuts & screws for assembling bracket	
8	Safety cord	1	Goes around the AC units and helps secure them	
9	Sponge	-	-	-
10	Rubber blocks	3	-	
10.a	Inside unit	1	See figure 9-1 & 9-2	-
10.b	Outside unit	2	See drawing in section 8b	-

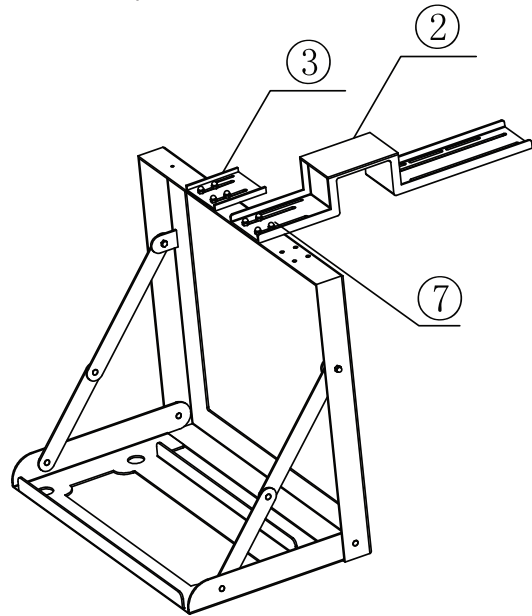
2. Set ① the outside mounting bracket in the direction of arrow (as shown below).



3. Install the adjustment plate and the wall reinforcement ② plate ③ to the outside mounting bracket, using nuts and bolts ⑦. (As shown below)

Note :

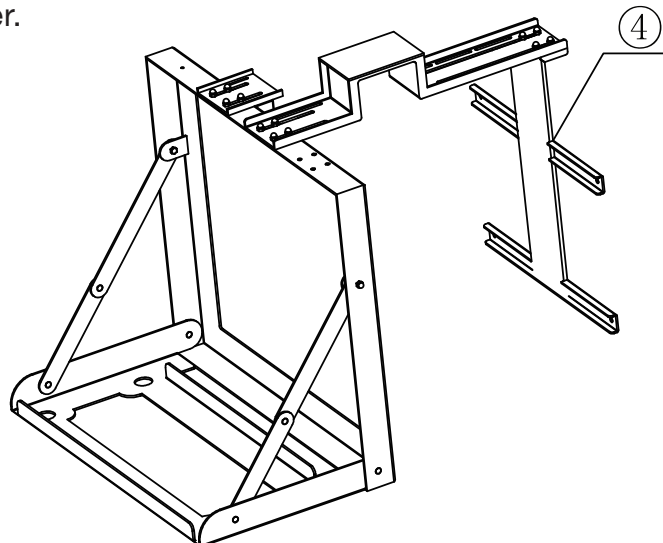
At this point the nuts do not have to be tightened.
Keep nuts and screws loose to adjust later.



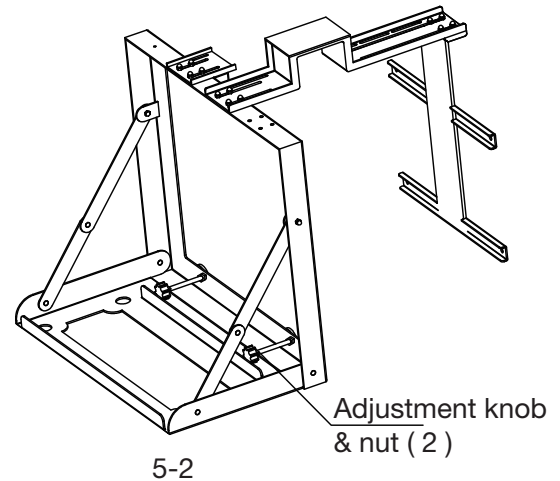
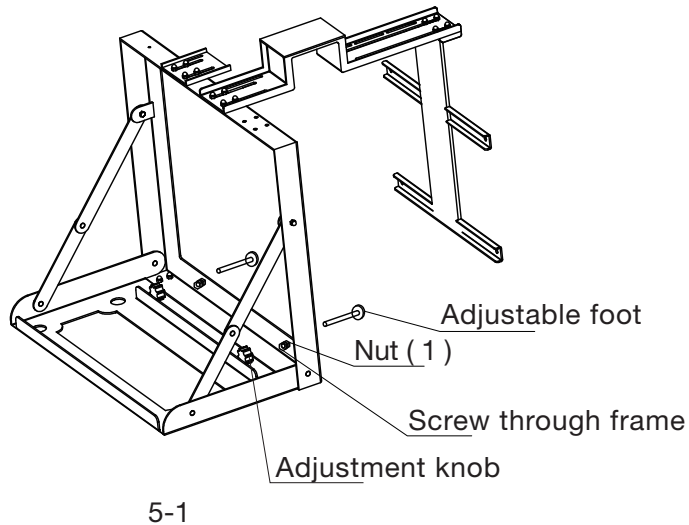
4. Install the inside hanging plate ④ on the other side of the adjustment plate.

Note :

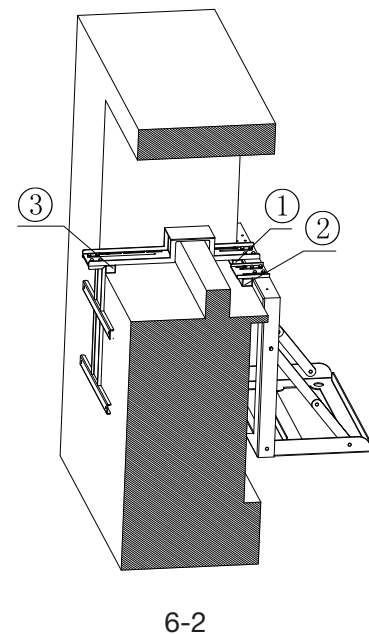
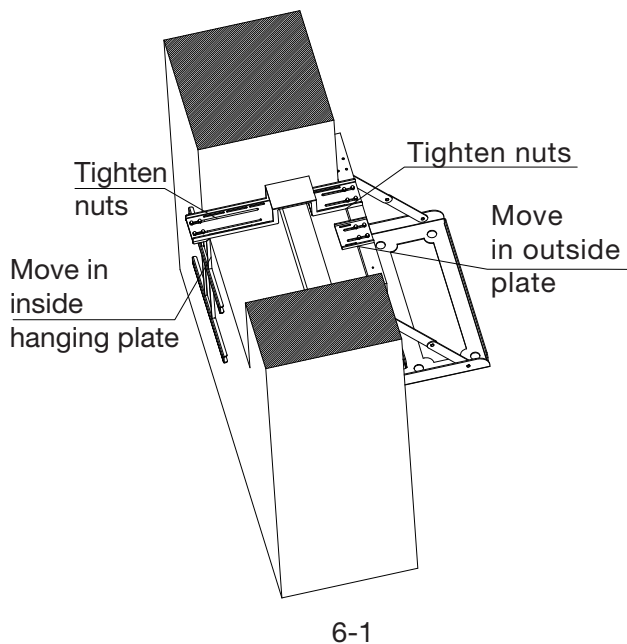
At this point the nuts do not have to be tightened.
Keep nuts and screws loose to adjust later.



5. The installation of adjustment feet: to adjust the angle of the outside mounting bracket. See Figure 5-1 The foot with screw has a nut (1) on outside to tighten against frame. Thread screw through frame. A nut (2) inside the frame tightens the knob. The knob on the screw adjusts the foot against the wall, as shown in Figure 5-2. (see step 7 below)

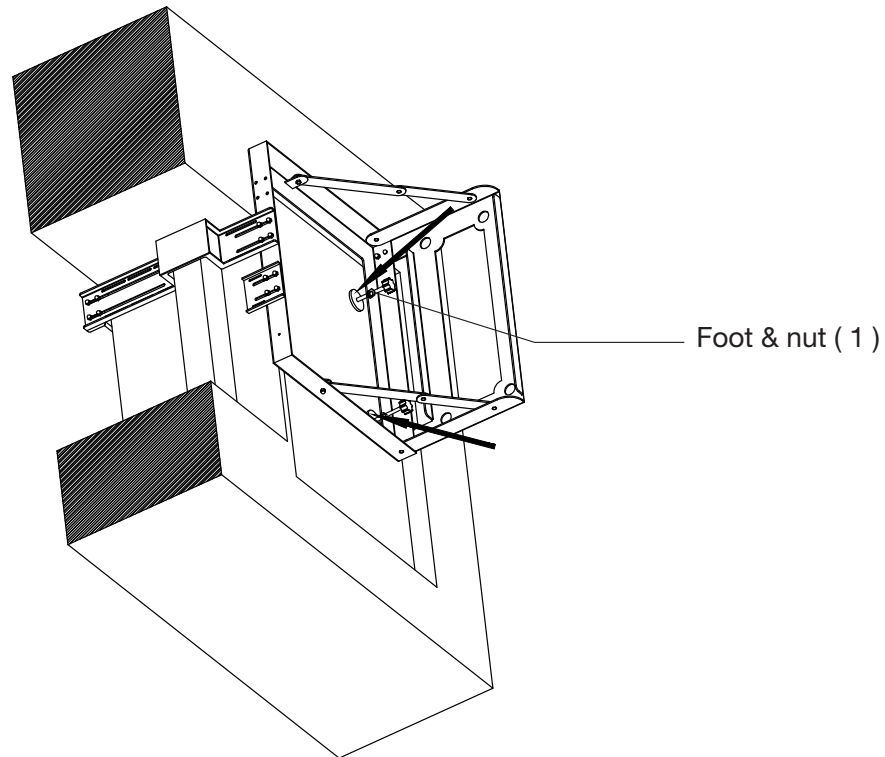


6. Adjust the installation bracket: Place the installation bracket as a whole on the windowsill. Move the inside hanging plate and the outside bracket against the walls on either side of the sill and tightened the screw nut assembly, as shown in Figure 6-1.

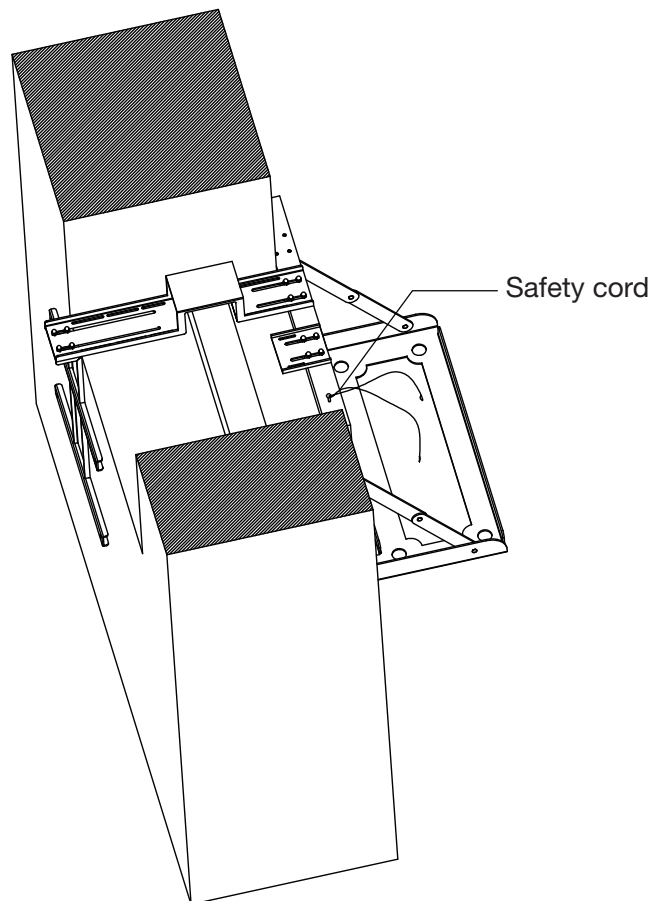


At this time, put the three rubber blocks on the window sill if the plates do not touch the sill, under either side of the adjustment plate (① & ③) and under the wall reinforcement plate ②. As shown in Figure 6-2.

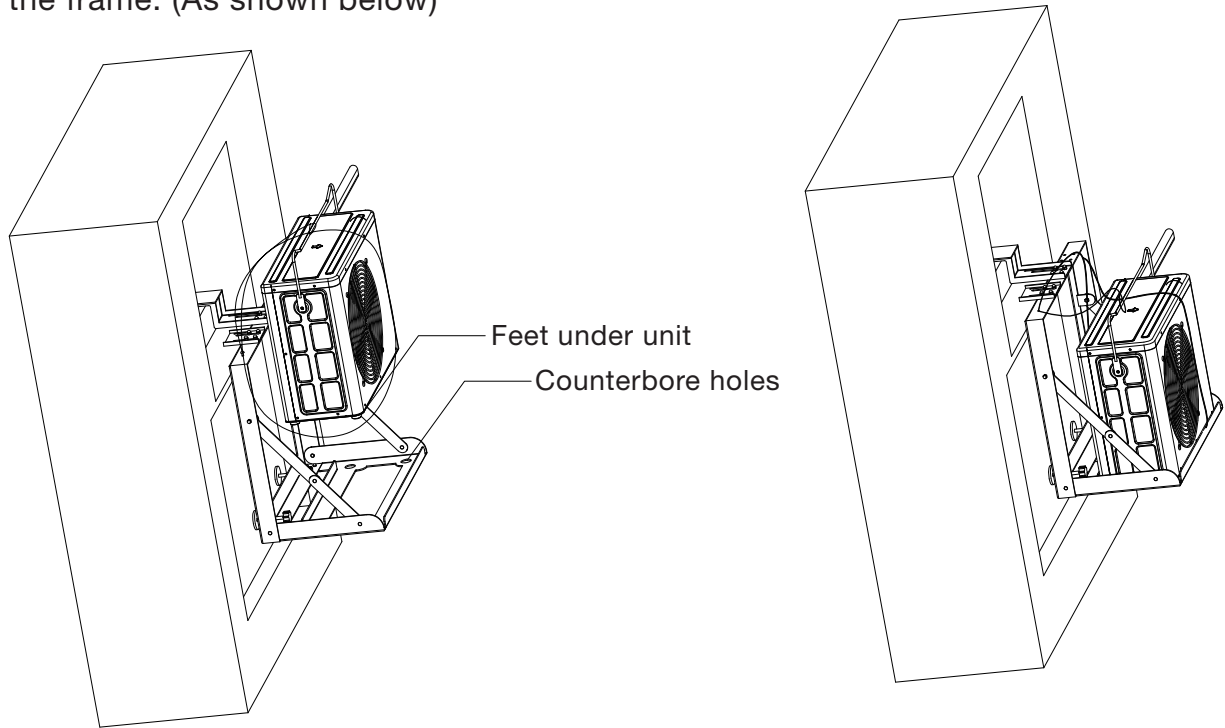
7. The adjustment feet: move the feet close to the wall by adjusting the foot knobs, and then tighten each nut (1) against frame. (As shown below).



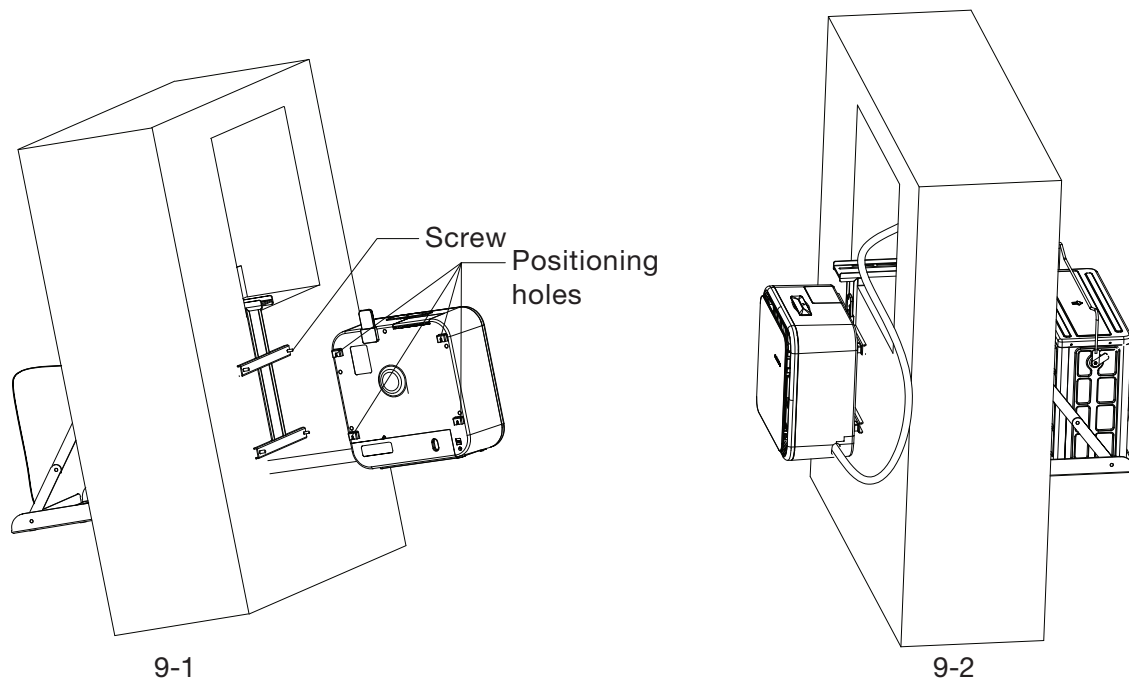
8a. Install the safety cord. (As shown below)



- 8b.** Outside unit installation: put the long side of the safety cord around the outside unit and fasten to hole on top of frame and the short side through the handle of the unit (to prevent it from falling through accident or improper use). Lower and position the outside unit on the bracket. The unit feet should sit on the four counterbore holes on the frame. (As shown below)



- 9.** Install the inside unit as shown in Figure 9-1, by aligning screws with the four positioning holes. Internal and external units are as shown in 9-2.



- 10.** After the installation of internal and external units, install the isolation panel.